



Intelligent Sanitary Ware



Massaging Bathtub(GA-1913-1R/L)



The instructions in this manual are for August 2019. For product compatibility information released after this date, please contact local agents for the latest version of the instructions and technical support.

SINCE2002

ISO9001 TÜV CE PICC

**Manual**

Dear user,

Thank you for your choosing our series of computerized whirlpools, which are controlled by modern full function computer and using beautiful bronze metal parts. It sources from personality and unique for people.

Please read carefully this consumer manual before installation and operation to ensure that you can use this product safely.

 **Warning:**

- 1.The electrical installation of this product must be made by qualified electrician.
- 2.The local electrical parameters must be accord with electric parameters of this product.
- 3.This product must be grounded properly and test it.
- 4.There is no parts of the computer control which can be repaired by user themselves, do not unpack the computer control yourselves if the electrical parts of this product do not work. You should inform the dealer to check and repair it. Our Company would not be liable for the electrical parts otherwise user unpack the computer control themselves.

## Troubleshooting

Symptoms	Problem Causes	Recommended Action
Indicating light on control panel doesn't work and whirlpool doesn't work	①、Electrical power box disconnects to control box ②、5V voltage on circuit board is not available	①、Connect the electrical power box to control box ②、Repair 5V voltage
No signal display on LCD and indicating light doesn't work	①、Electrical power disconnects, no power to control box ②、4A fuse of electrical power box is burn-out	①、Turn on electrical power ②、Replacc bulb
Whirlpools bottom lamp is not available	①、Bulb cord disconnects ②、bulb is not available ③、No power to bulb	①、Conenct the wiring again ②、Replace bulb ③、Bulb overruns,it runs from 20W to 25W
Hydro function is not available	①、Medical bath generator doesn't work ②、Pipe of medical bath generator is blocked ③、Medical bath generator disconnects	①、Replace medical bath generator ②、Remove obstruction from pipe ③、Connect the wiring again
Medical bath in not available	①、Water doesn't reach high water level detector ②、Water level detector doesn't work ③、Pump doesn't work ④、Electronagnetic valve of air outlet doesn't work ⑤、Air pipe is blocked	①、Wait for water reaching high water level detector ②、Check and repair high water level detector ③、Replace pump ④、Check and repair electromagnetic valve of air outlet ⑤、Renove obstruction from pipe
Sterilization function is not available	①、Sterilization device disconnects ②、Sterilization device doesn't work	①、Connect wiring again ②、Replace sterilization device
Remote control doesn't work	①、Capacity of battery is too low ②、Battery installs in wrong direction ③、Kemote control is not available	①、Replace battery ②、Install battery properly according to prompt ③、Replace remote control
Heating device failed	①、Water doesn't reach high water level detector ②、Water pump doesn't turn on ③、Heating protector broken ④、Heating bar broken	①、Wait for water reaching high water level detector ②、Turn on the water pump ③、Replace heating protector ④、Replace heating bar

Notice:①、 Call dealer or qualified electrician for maintenance when meeting problems.  
②、 Must not replace, put on or take off the electrical parts when checking problems by user themselves.

### Maintenance

1. Keep the acryl surface of the shower panel from crashing by a sharp edge. If the surface is crashed or there is some blot which can not be removed by scrub, using #1500 sand paper to polish it and apply some toothpaste on a soft cloth to wipe it.
2. Using special cleanser to clean-up the shower panel. The cleanser contain no such organic solvents as acid, alkali, ketone and aldehyde.
3. Need not polish the plating parts of the shower panel to prevent from affecting the brightness of the surface. Keep benzine and acid (such as sealant) away from the plating parts avoid eroding when being in installation.
4. Shut down the water and electrical supply if the shower panel is not in operation for a long time. Keep it in a dry and ventilated circumstance and far away from volatile chemicals.
5. Clean-up the filter at the joint of the water pipe to ensure the fluent flowing.

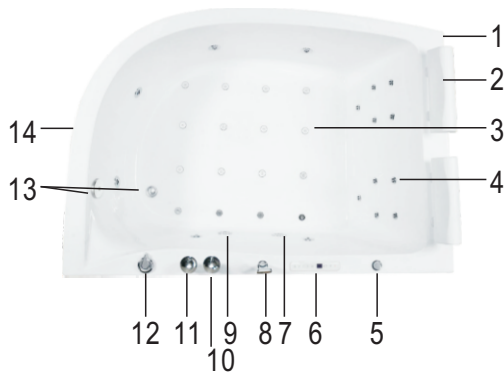
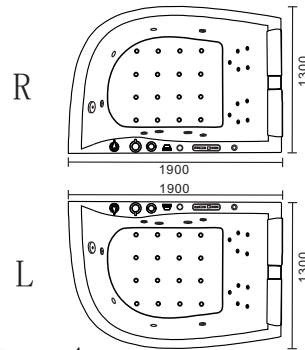
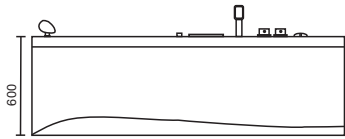
### Contents

Contents .....	1
Features of computerized whirlpools .....	2
Installation .....	3
Operation of water and electrical parts .....	6
Wiring and operation of computer .....	7
Operation of computer control .....	8
Caution .....	11
Maintenance .....	12
Troubleshooting .....	13

## Features massage bathtub

### 1. Model, specification and function

**Model: GA-1913-1 R/L**  
**Size: 1900x1300x600mm**





- |                     |                           |
|---------------------|---------------------------|
| 1. Bathtub          | 8. Flexible shower        |
| 2. Pillow           | 9. Back water             |
| 3. Air nozzle       | 10. Shower & Water switch |
| 4. Water nozzle     | 11. Water temp adjustor   |
| 5. Air adjustor     | 12. 3-way shifter         |
| 6. Computer control | 13. Drainer and overflow  |
| 7. Bottom Lamp      | 14. Apron                 |

### 2. Technical parameters.





Power Supply Parameters					Water Supply Parameters			Diameter of the Pipe Joint		Long-distance control system	
Power supply voltage	Frequency	Voltage of the control	Power			Water supply pressure	Working Pressure	Water flow volume	Cool&Hot Water Supply		Drainage
			Massaging water pump	Heater	Massaging air pump						
AC220V -240V	50- 60HZ	DC12V	1.1KW	1.5- 2KW	0.25KW	≥0.2MPa	0.2-0.4MPa	8-10L/min	φ 25	φ 40	( Option )

## Caution

Don't disconnect the appliance with wet hands;  
 Don't use or stop the use if the appliance is damaged, especially the supply cord and the case;  
 Parts containing live parts, except parts supplied with safety extra-low voltage not exceeding 12V, must be inaccessible to a person in the bath;  
 Earthed appliances must be permanently connected to fixed wiring;  
 Parts incorporating electrical components, except remote control devices, must be located or fixed so that they cannot fall into the bath;  
 The appliance should be supplied through a residual current device (RCD) having a rated residual operating current not exceeding 30mA;  
 The built-in battery contains substances which may be harmful to the environment. When you discard your remote controller in due course, please remove the battery and hand it in separately at an officially assigned collection point.

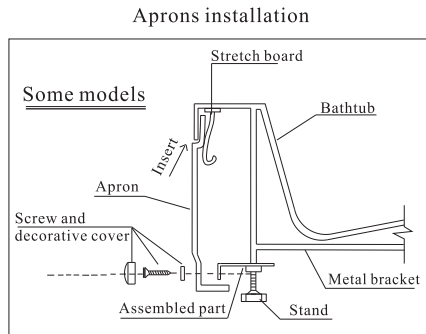
- (2). Air blower set : Under air blower gear shifts mode, LCD display the gear shifts grade (see ) , press the key < or the key > to set gear shifts of air blower, the adjustable grade is 110.
- (3). Volume set: Under radio on mode, the system enter into parameter set mode and LCD display db (see ) , touch the key < or the key > to adjust the radio volume.

## F. Bluetooth Music Playing Function

1. Bluetooth music playing function on: when the system on and also connects Bluetooth function, touch  can switch radio function into Bluetooth music playing function. Retouch the key will turn off Bluetooth or radio function.
2. Skipping music: touch  can skip music, it will show “bt”, then choose music by turning + or - .
3. Volume regulation: when Bluetooth in general state, touch  can get into regulation state, the volume ranges from 0~15, control panel shows  when regulating.
4. Turn on Bluetooth music playing function, if disconnect with mobile phone, the control panel will show error code “E6”.
5. If system off, the Bluetooth function will be off automatically. Turn on system again requires reconnect Bluetooth via mobile phone, meanwhile turn on music playing function of mobile phone, the system can get into Bluetooth music playing function. After connection we can control the Bluetooth function.

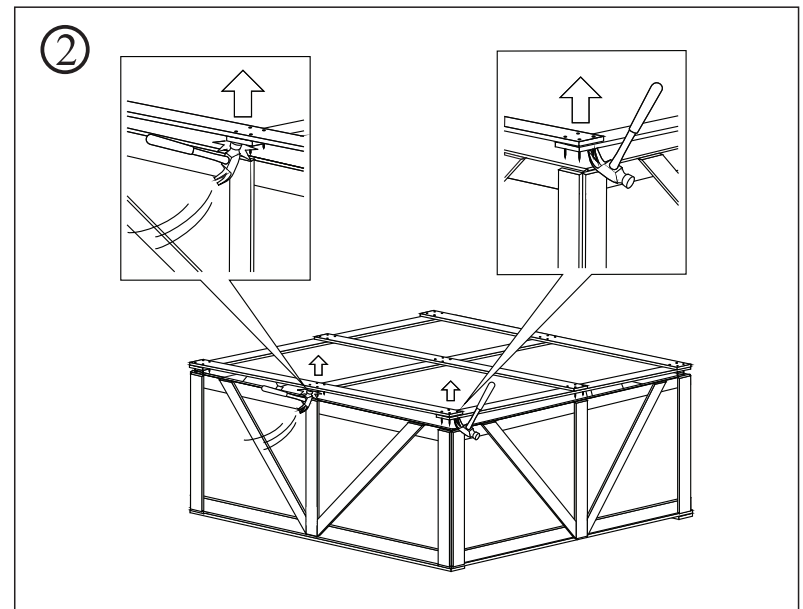
## Appurtenance : Aprons installation

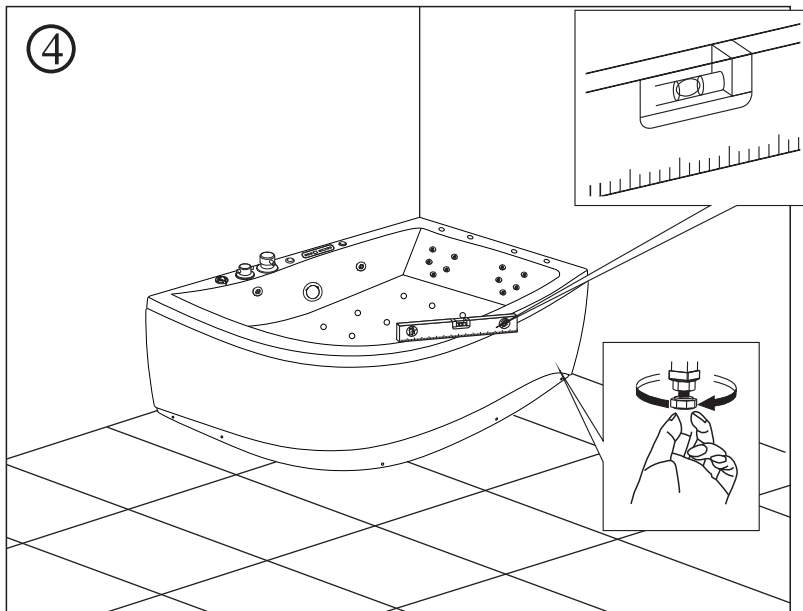
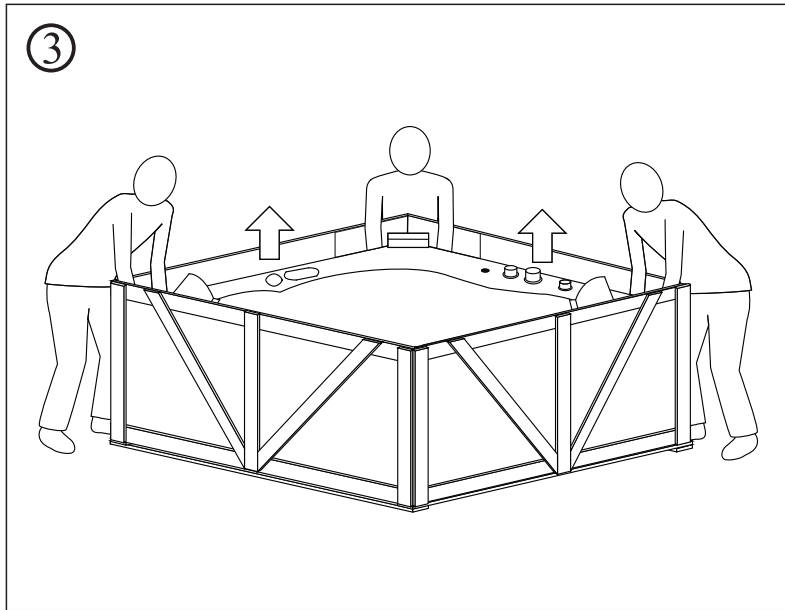
- Follow diagram 5 to insert aprons into pontes crevice between stretch board and tub edge ( notice : properly incline apron to ensure insert go fluently)



- Regulate aprons installation location, with locknuts to tighten aprons to fastener, cover fastener with decorative nuts.
- Put tub on prepared location , insert drainpipe into prepared waterspout, notice : keep inlet depth less than 10cm( if water spout faraway from location , you can lengthen the hose with same diametral hose , but please ensure kerf with plastic sealed against any leakage .)
- Reinstall the apron according to the above procedures in an inverse turn.

## Installation





2. Operation of keys

A. Power on/off

- 1). Standby : When system shuts off and under standby mode, the infrared indicator lamp is on.
- 2). Power on: Under standby mode, press touch the key for 1.5 seconds, the infrared indicator lamp lit. Touch the key in 10 seconds to turn on power and indicator lamp is lit, LCD displays current bathtub temperature, and the default power off time is 1 hour. Under the power on mode, if there is no activation on any function key, the indicator light shuts off and system enter into standby mode. In the duration of lit indicator light, touch power on/off key to turn on or shut power.
- 3). Power off: Under the power on model, touch power on/off key to shut all functions and indicator lamp lit for postponed 10 seconds. In the duration of the postponed 10 seconds, you can touch power on/off key to turn on power again.

B. Water pump/Bottom lamp/O3 disinfection

1).Under the power on mode:

Before water pump turns on, as the water is above standard water level, touch the key, the key is lit and both water pump and bottom lamp is on ; If the water is inadequate,the key flashes and both water pump and bottom lamp can't be turned on, while water reach standard level, the key lit and stop flash, the water pump and bottom lamp started.

2).The key is ok during the operation of water pump and water is adequate, press touch the key for 1.5 second to turn on O<sub>3</sub> disinfection and the key flashed until O<sub>3</sub> disinfection shuts in 15 minutes . after O<sub>3</sub> disinfection shuts, the key restore to lit mode and flashes once water is inadequate.

3).Under O<sub>3</sub> disinfection mode, it water is inadequate, the O<sub>3</sub> disinfection shut and will restore disinfection as water is adequate;

4).Under O<sub>3</sub> disinfection mode, press touch the key for 1.5 minutes to shut O<sub>3</sub> disinfection, the key lit while water is adequate.

C . Air blower:

Under the power on mode: Press the key while water is inadequate to start dry blower,the operation will shuts in 10 minutes; Press the key while water is adequate to start air blower and no time limit to be set; During operation of air blower , the key flashes while water is inadequate and the air blower stop operation , and air blower will restore operation while water is adequate and the key lit.

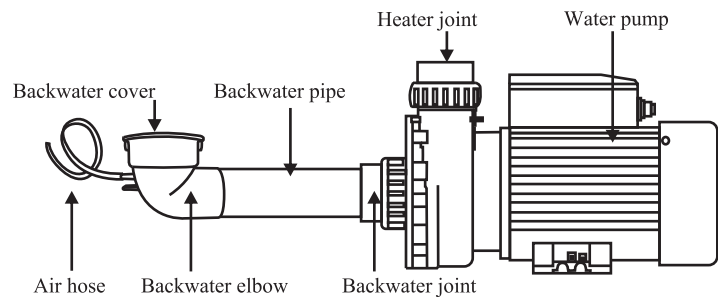
D. Heater

While the water pump is on, touch the key to start heating and LCD displayed the default temperature is 38C . while the Temp figure flashing (see ), please touch the key < or > to get choice heating temperature; The heater is on while water is adequate, while water is inadequate and the key flashes ,the heater shuts.

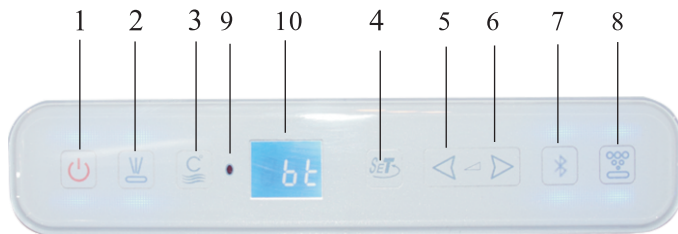
E. Parameter +/-

- (1). Heating temperature set: Under heating temperature set mode, LCD displayed TEMP flashed (see ) and show the current default temperature , press the key or the key < or the key > to set heating temperature, the temperature is adjustable from 35C to 43C.

### Structure of safe backwater



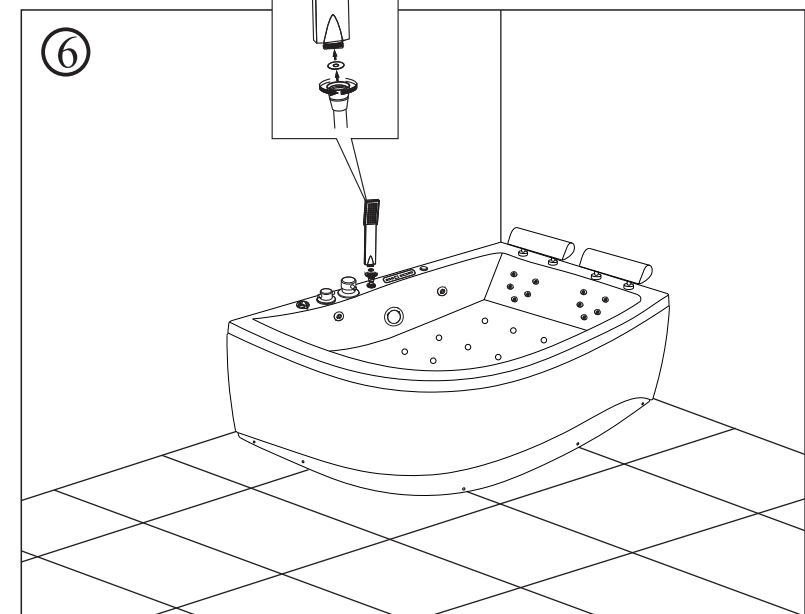
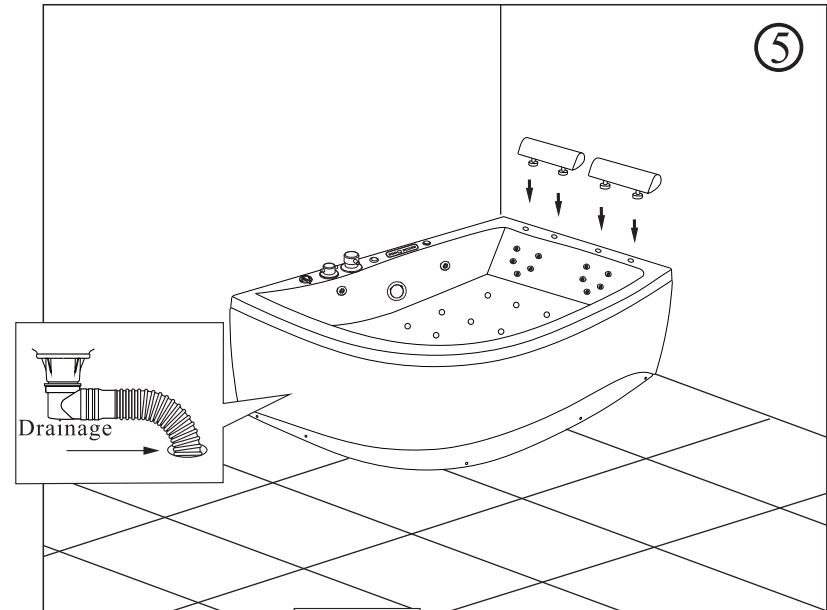
### Operation of computer control panel H103



- 1. Power on/off
- 2. Water pump/Bottom lamp/ O<sub>3</sub> disinfection
- 3. Heater
- 4. Parameter set
- 5. Parameter -
- 6. Parameter +
- 7. Bluetooth
- 8. Air pump key
- 9. Standby indicator lights
- 10. LCD

1. Warning

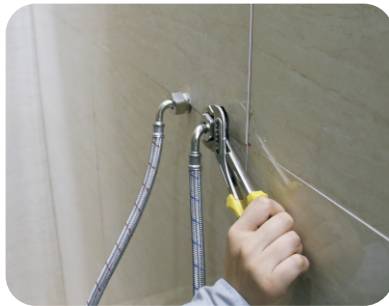
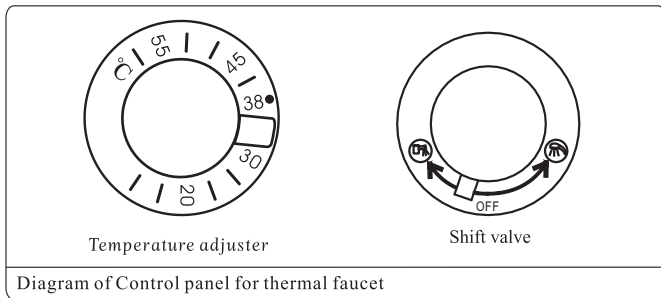
- (1).The control panel is of touch sensor, please keep the panel assembled against direct spray or watering in case of abnormal operation of panel or system locked;
- (2).Please touch press keys point to activate the relative functions;
- (3).The panel is characteristic of spray-proof, when system detected malfunctioned, the instant touch is response no function and system locked, in the case of this symptom, please stop touch a moment when the panel restore activation and you can restart the functions.



### Operation of water and electrical parts

#### Operation of variety flow valve

Turn on the general valve of water supply, pull up the wrench valve to make the water overflow and turn it to adjust the water temperature. when the water temperature is steady, turn the shift valve to select function according to your desire



#### Water connection

- ▶▶ Connect the top shower from variety flow valve(caution the marks on the pipe end), then take the aluminium alloy board into bathroom, connect all functions refer to the marks on the pipe end.
- ▶▶ Connect the hot&cool water supply hose to indoor prepared tie-in, caution which is hot water or cool water.

*Notice: To cut off the water supply easily after finishing your bath anytime, please place a general water valve between the supply outlet and bathroom inlet on a easy-operated place.*

### Wiring and operation of computer

#### Wiring of power box

